

EXAMION®

X-Ray Systems · Digital Imaging · Service

X-DRS Ceiling

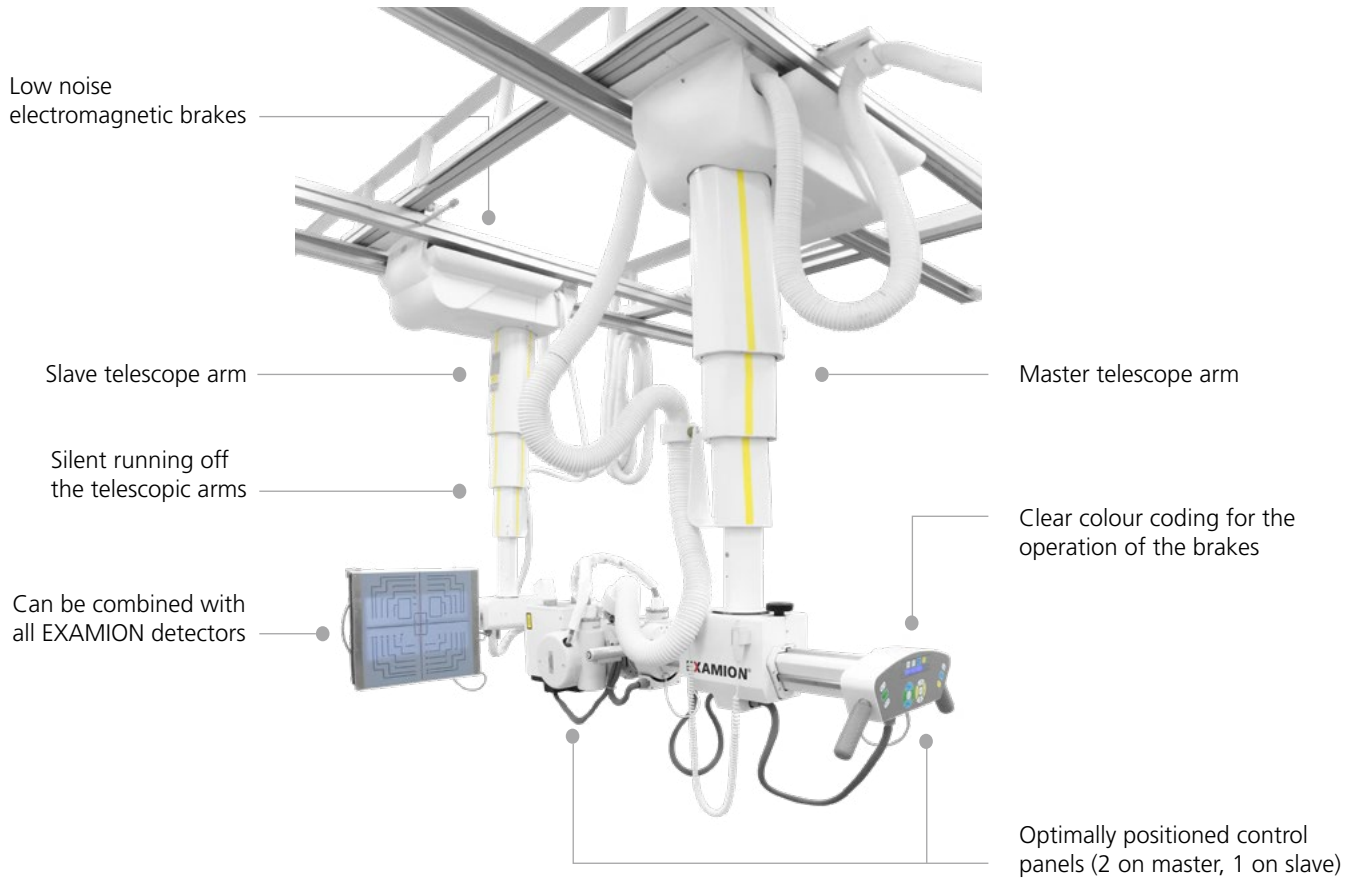
Ceiling-mounted complete X-ray system for the equine veterinary practice



Stationary X-ray system for the equine clinic

The ceiling-mounted X-ray system X-DRS Ceiling is a versatile system developed specifically for the requirements of the equine veterinary practice. The stationary X-ray system with one or two telescopic arms delivers high-quality images and impresses users with the latest technology and maximum user comfort.

In designing this innovative X-ray system, the focus was clearly on the well-being of the animal. Noise generation has thus been minimised, ensuring that the examinations are as pleasant as possible for the animal. The system can be combined with all EXAMION detectors.



The large working area gives the animal, the veterinarian and all other participants more freedom of movement and thus greater safety.



Maximum system flexibility

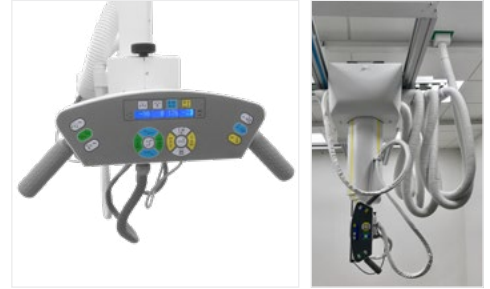
Thanks to the high mobility of the X-ray system, an extremely wide range of X-rays is possible: Patient images at a height of up to 210 cm and also foot images.

- Vertical mobility 180 cm height; optionally also 193 cm high
- Floor clearance from 7 to 13 cm
- Working area of 430 x 460 cm
- X-ray tube telescopic arm with 32 cm horizontal mobility



Intuitive control software

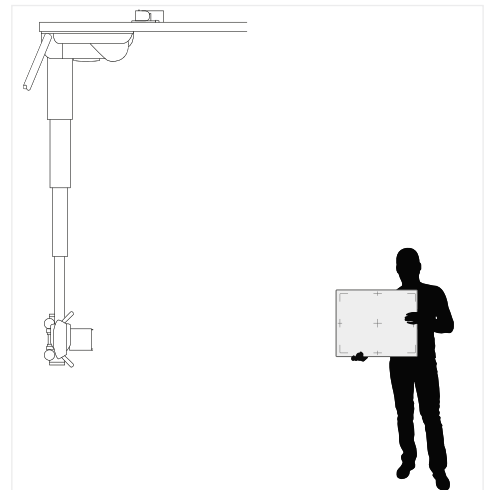
- Combined control of X-ray generator and detector
- Horse-specific organ programs
- State-of-the-art image processing
- Express buttons for pre-purchase examinations
- Simple image viewing using the radiological viewer with diagnostic tools and measurement functions



Equipment options

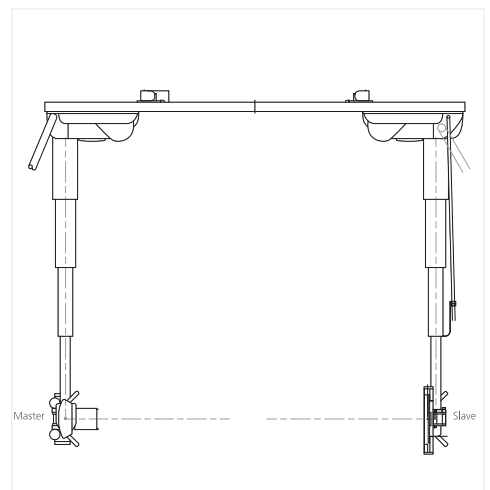
X-DRS Ceiling One – one telescopic arm

- The entry-level gantry for your advanced equine X-raying.
- The most powerful equine x-ray system at your fingertips.
- All power required to reproduce crispy images with shortest exposures.
- All challenging abdominal, hip and thoracic equine radiographic procedures within easy reach.
- The dual up-close and remote telescopic tube stand controls allow for best safety of horse, radiologists and veterinary technicians.
- Minimal force to be exerted when positioning the x-ray tube.



X-DRS Ceiling Two – two telescopic arms

- The telescopic tube stand, supplemented by its twinned bucky stand upgrades to the equine most versatile and optimised X-ray solution.
- Automatic synchronisation between tube and bucky stand for a perfect tube-panel alignment every time.
- Secure Bucky tray providing maximum detector protection.
- Integrated anti-scatter grid assuring the highest image quality.
- Automatic exposure control (AEC) for consistent dose and exposures.
- Dual telescopic tube stand controls (up-close and remote) for best safety of horse, radiologists and veterinary technicians.



EXAMION GmbH

EXAMION is a global provider of specialized solutions for digital radiography in human and veterinary medicine. For 35 years, we have been working based on the principle of "everything from a single source". We are available to our customers as a competent partner for planning, installation, and after-sales services.



Our technical and sales advice is tailored to the specific requirements of the customers and the practice premises. Contact our experts for your personalized advice!

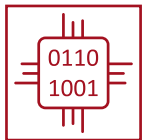
EXAMION currently services over 7,000 systems, most of which are stationary X-ray systems installed in medical and veterinary hospitals and practices. Our in-house developed EXAMION X-AQS software empowers the system control, image processing, reporting, and archiving while ensuring efficient workflow. In addition to digital radiography and image processing systems, our product portfolio includes digital mammography.

With more than 150 employees in Germany, our European subsidiaries in Belgium, Poland, Portugal, and Switzerland, and our ever-growing network of service and sales partners, we passionately support our customers throughout Europe and beyond.

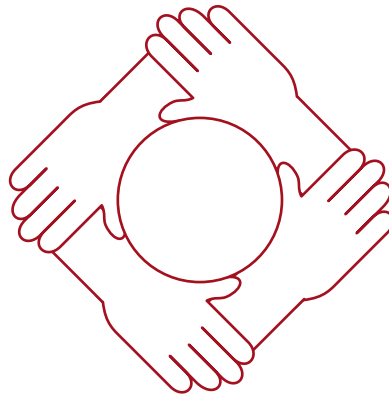
Take advantage of our long-standing experience



X-ray systems



Digital systems



X-ray archives



Services



Contact – your local sales and service partners

EXAMION GmbH

Erich-Herion-Straße 37
70736 Fellbach, Germany

Phone: +49 711 120 002-0
Fax: +49 711 120 002-22
E-mail: vertrieb@examion.com
Web: www.examion.com



Certified partner of EXAMION