

X-DRS Floor Z-Arm

Swivel bracket systems with detector



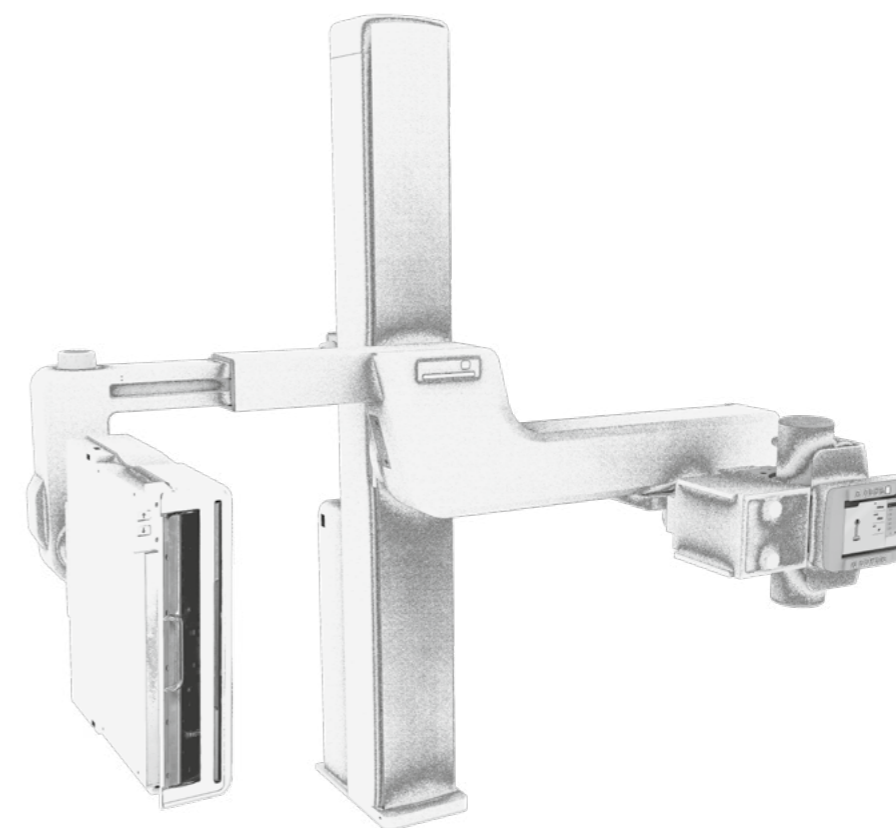


Swivel bracket

The EXAMION swivel bracket systems are among the most compact and space-saving X-ray systems and are therefore ideal for small rooms and low ceilings.

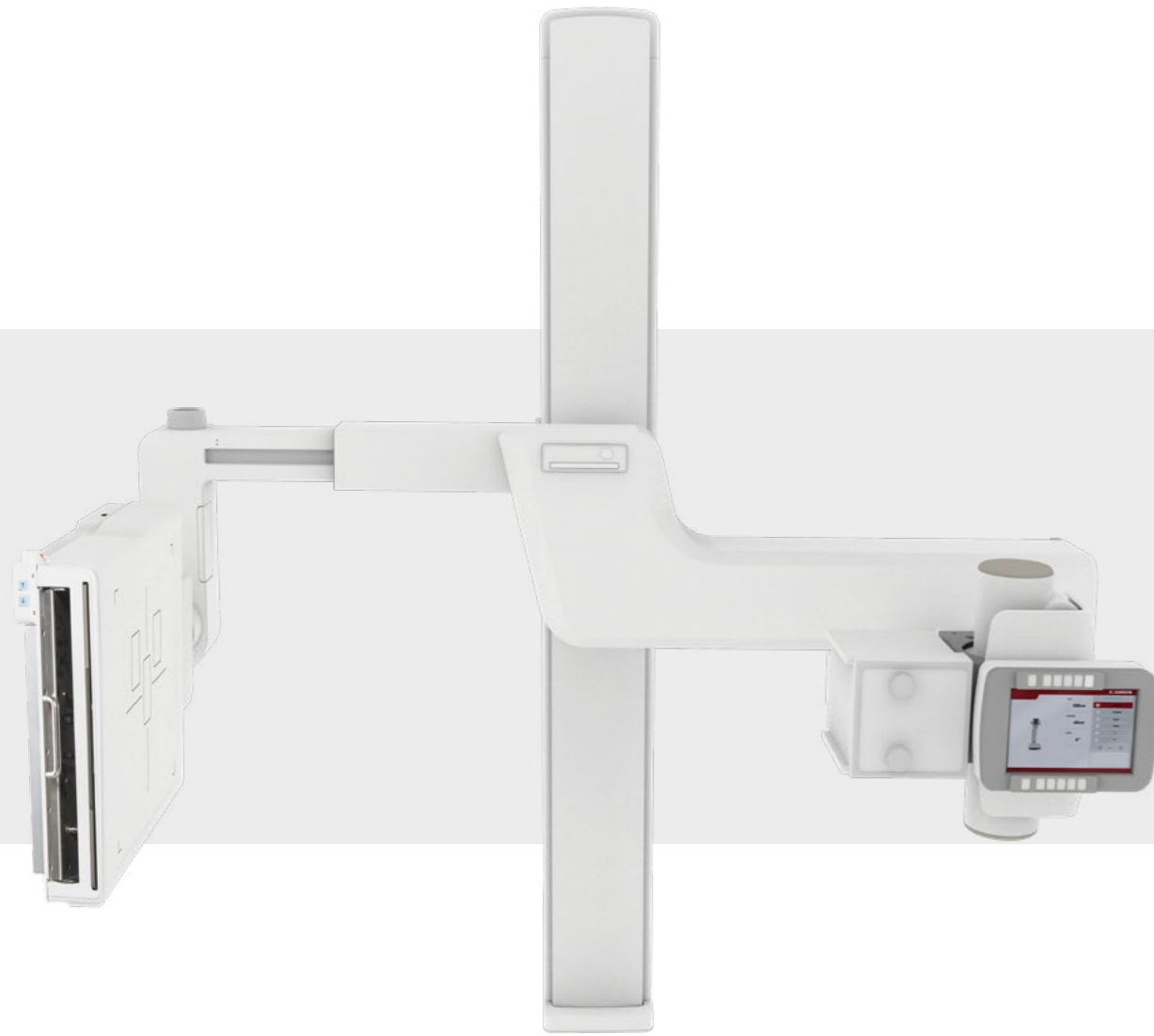
The system can particularly easily be positioned for upright images since the X-ray source and bucky tray are coupled via the transverse arm and can be brought to the desired height together.

Thanks to the hinged transverse arm of the swivel bracket, both prone and upright images can be taken with a single bucky tray. It is also possible to place the transverse arm in intermediate positions for inclined images. The main advantage of systems with a single bucky tray is that the detector usually does not have to be removed and is therefore optimally protected. When other X-ray systems are combined with just one detector, it is placed alternately in the table and the wall unit. The swivel bracket is the ideal solution if you want to work with just one detector to optimise acquisition costs.





-DRS Floor Z-Arm





Fully motorised X-ray system for all common applications

The X-DRS Floor Z-Arm swivel bracket is designed for ease of use in every respect. It is fully motorised – not a single movement needs to be performed mechanically. As a result, the X-DRS Floor Z-Arm also offers a comfortable stitching option.

Areas of use

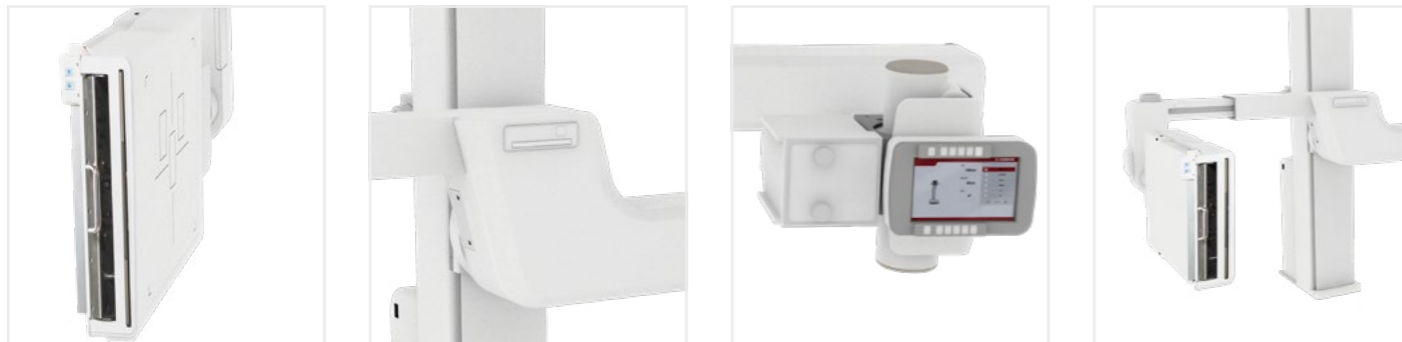
In medical practices and medical care centres which need to take high numbers of X-rays every day, the physically challenging settings can be highly stressful for operators. Here, the motorised X-DRS Floor Z-arm can provide significant improvement.

X-DRS Floor Z-Arm

-  Private practices
-  MVZ

Optimal price-performance relation

The motorised swivel bracket system supports the user in a wide range of ways; the comfort, measured against purely mechanically acting X-ray systems, is evident from the very first minute. This results in a slightly higher purchase price, which EXAMION counters by standardising components as much as possible. This enables us to offer a very comfortable system at an very attractive price.





Comfortable X-ray system with many setting options

Intuitive and easy placement

The system offers a particularly high level of support for users who operate the X-ray system without interruption and over a long period of time and who frequently have to take oblique images.

The system can be positioned comfortably simply by pressing a button. Stored positions can be selected on the touch screen, and even the rotation of the buckytray is included. This means that positions for oblique exposures can also be saved and called up at the click of a button. The level of efficiency in your surgery is significantly increased.



Full-leg photography – very simple with stitching

With the optionally available stitching variant of the X-DRS Floor Z-arm, not only is the cross arm moved into different positions, but the cross arm and detector are each rotated so that the individual ray points all begin from the same source. This is the only way to achieve an optimal overlapping of the individual images.

Synchronisation:

- Automatic positioning of the unit based on the system's organ programmes
- X-ray source and bucky tray are directly connected to each other and are thus centered
- Stitching option: Automated tracking of the positions for the required partial exposures



Technical specifications

X-ray stand

SID	100 cm – 180 cm Motoric movement
Height adjustment	Min. 40 cm Max. 170 cm Motoric movement
Rotation angle cross arm	- 30° – 120° Motoric movement
Spotlight rotation angle	± 90°
Rotation angle Bucky	± 45° Motoric movement
Control system	10" Touch Screen
Bucky	For CR cassettes and mobile detectors in cassette format

Further specifications

Generator	CPI CMP 200 DR, 50 kW, max. 630 mA, max. 150 kV, AEC, manual switch, 3 Phasen / N / PE, 400 V, incl. console Other generators on request
Tube	Varex RAD-14, Fokus 0,6 / 1,2 mm, 300 kHu, max. 150 kV, incl. high voltage cable, weight 17,4 kg Optional: RAD 21, RAD 60
Collimator	Manual rotatable, LED-lamp, integrated timer, Laser adjustment
AEC	3-field measurement chamber with cable
DFP (optional)	Measure dosage Area Product or DFP calculation, automatic integration into the X-AQS X-ray journal
Certification	CE 2460



X-DR WiFi – Detectors in a range of sizes

Our detectors are at the heart of the digital X-ray system. They provide high quality X-ray images, saving time and man-hours. They are available in different versions, can be combined with each other and thus cover all requirements without any problems.

Data transfer via WiFi is supported and power can be supplied by a battery. If the detector is permanently installed, the appropriate power supply cabling is available as an option.



X-DR M WiFi TH

- Optimal as a supplementary detector for extremity images
- Suitable for incubators in neonatology
- Size: 23 x 28 cm

X-DR L WiFi und X-DR XL WiFi

- Best seller with excellent price in relation to performance
- Excellent picture quality that also complies with high requirements
- Sizes: 35 cm x 43 cm
43 cm x 43 cm

X-DR L WiFi Premium und X-DR XL WiFi Premium

- Minimal weight
- High protection against liquid infiltration
- Pixel pitch 100 µm: Premium quality X-ray images which meet the highest requirements
- Sizes: 35 cm x 43 cm
43 cm x 43 cm

Our models at a glance

	X-DR M WiFi TH	X-DR L WiFi	X-DR L WiFi Premium	X-DR XL WiFi	X-DR XL WiFi Premium
Pixel pitch	148 µm	150 µm	100 µm	139 µm	100 µm
Pixel matrix	1.920 x 1.560	2.304 x 2.800	3.500 x 4.300	3.072 x 3.072	4.267 x 4.267
Weight	1.6 kg	3.4 kg	2.8 kg	4.6 kg	3.4 kg
Size	23 x 28 cm	35 x 43 cm	35 x 43 cm	43 x 43 cm	43 x 43 cm

X-AQS Software – Acquisition, control, archiving

The EXAMION X-AQS software is a universal solution for X-ray image acquisition, processing and archiving, allowing you to control a wide range of CR digitizers, DR flat panels and X-ray generators as well as processes. The software is available as a DICOM modality to connect to your existing image archive, but also as a system solution with X-AQS PACS with standardised operation at viewer workstations. The software can be adapted to your needs and can grow along - always as you need it.



Placing of orders

- Touchscreen operation throughout
- Clear depiction and selection of body regions
- Freely configurable organ lists for each body region

Image acquisition

- State-of-the-art X-AQS image processing
- Consistent user interface and operation steps even when switching between CR and DR systems
- Digital X-ray journal

Post-editing

- Extensive functions for post-editing the image
- Complete diagnostic viewer with measuring tools even at acquisition workstation
- Export in DICOM and other formats via USB stick, DVD or e-mail

Additional features with X-AQS PACS

- Client software for an infinite number of viewer workstations
- Integration of peripherals such as ultrasound, endoscopy, CT and MRT

Webclient

- Full-featured web client not only for image viewing but also, for example, for patient management and order placement



The X-AQS with its user-friendly operating interface is the central controlling unit for digital X-ray. Simple and self-explanatory buttons enable the acquisition of perfect X-ray images with just a few clicks. We offer you a future-proof universal software platform that is constantly being further developed and tested by users.

EXAMION GmbH

EXAMION is a global provider of specialized solutions for digital radiography in human and veterinary medicine. For 35 years, we have been working based on the principle of "everything from a single source". We are available to our customers as a competent partner for planning, installation, and after-sales services.



Our technical and sales advice is tailored to the specific requirements of the customers and the practice premises. Contact our experts for your personalized advice!

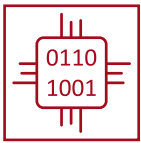
EXAMION currently services over 7,000 systems, most of which are stationary X-ray systems installed in medical and veterinary hospitals and practices. Our in-house developed EXAMION X-AQS software empowers the system control, image processing, reporting, and archiving while ensuring efficient workflow. In addition to digital radiography and image processing systems, our product portfolio includes digital mammography.

With more than 150 employees in Germany, our European subsidiaries in Belgium, Poland, Portugal, and Switzerland, and our ever-growing network of service and sales partners, we passionately support our customers throughout Europe and beyond.

Take advantage of our long-standing experience



X-ray systems



Digital systems

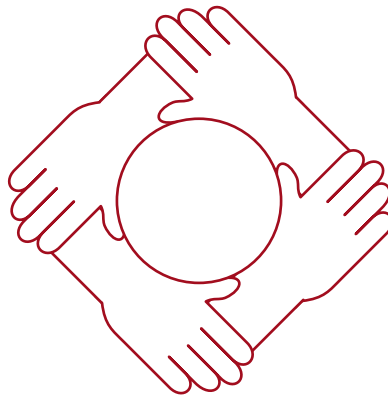


Image archives



Services



Contact – your local sales and service partners

EXAMION GmbH

Erich-Herion-Straße 37
70736 Fellbach, Germany

Phone: +49 711 120 002-0
Fax: +49 711 120 002-22
E-mail: vertrieb@examion.com
Web: www.examion.com



Certified partner of EXAMION